



**COMMERCIAL VEHICLE AUCTIONS LTD**  
THE UK'S MOST ESTABLISHED COMMERCIAL VEHICLE AUCTIONEERS

Carr Hill Industrial Estate  
Doncaster  
DN4 8DE

01302 732600 | cva.noreply@cva-auctions.co.uk

# VEHICLE INSPECTION REPORT

**YR19NSC**

## Ford Transit 3402.0 TDCi 130PS

Inspection		Vehicle	
Serious Damage?	No	VAT	Plus VAT
		V5	Present

Details					
Reg. date	08/08/2019	VIN	WF0YXXTTGYKC37188	CAP Below	£4,100.00
Year	2019	Body Style	Panel Van	Gearbox	MANUAL
Mileage	114,499 Miles Not Warranted	MOT Due	Expired	Gears	6
Fuel Type	Diesel	CAP Clean	£5,875.00		
Colour	WHITE	CAP Average	£5,150.00		

SIDE LOAD DOOR, AD BLUE

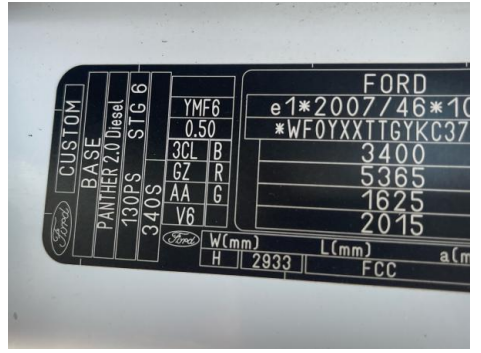
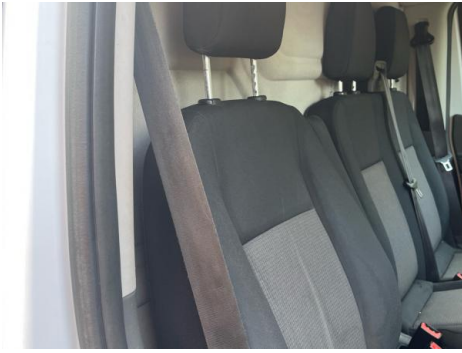
Tyres	
NSF	
NSR	
OSF	
OSR	
Spare	

## Features

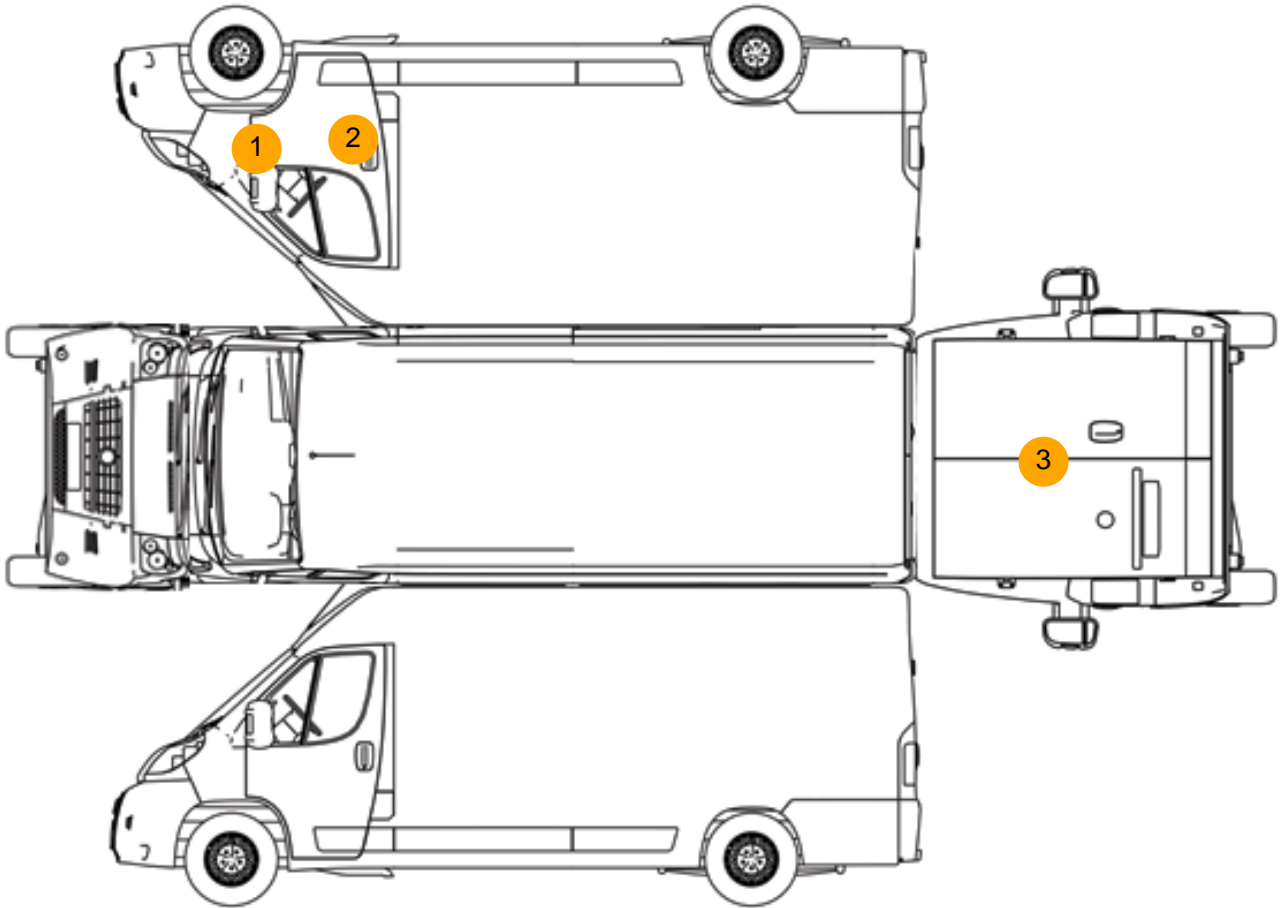
- Radio/CD
- Front electric windows
- Central locking

## Photos





## Condition Check



## Damage Photos



1: Wing osf  
Rusted  
Over 5mm



2: Door osf  
Dented  
Over 2 UpTo 10mm



3: Tailgate  
Dented  
With Paint Damage

**Interior**

<b>Carpet Condition</b>	OK	<b>Upholstery Condition</b>	OK
<b>Seat Condition</b>	OK	<b>Odour</b>	No
Engine Runs	OK	Gearbox 1st and Reverse Test	OK
Brakes	OK	Clutch Slip Test from Static	OK
Turbo Boosting	OK	Gearbox Static Gear Selection (engine running)	OK
Parking Brake	OK	No Excessive Smoking	OK
EML light illuminated	OK	Oil warning light illuminated	OK
Airbag light illuminated	OK	DPF light illuminated	OK
ABS light illuminated	OK	Service indicator light illuminated	OK
Windows	OK	Radio	OK
		Steering	OK